

18
SERIES

REPORT

Type 18.A1.8.230.0000

New PIR movement detector for external installations.

PIR movement detector for external installations - wall mounting, small size.
Protection category IP 54.
Versatile and suitable for any environment.

new



IP 54

Features

- Ambient light intervention threshold: **5...1,000 lx**
- Light on time after last detection: **10sec...20min**
- Rated voltage **110...230 V AC** (50/60Hz)
- **1 NO contact rated 10 A 230 V AC**
- Rated load 2,300 VA
- Push-in terminals

Type 18.A1

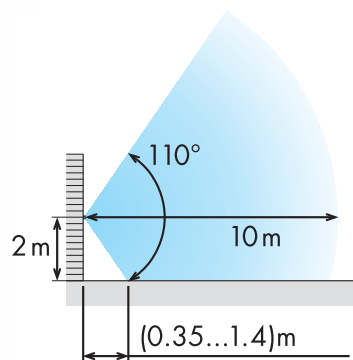
New PIR movement detector for external installations

Thanks to **IP54** protection, the **Type 18.A1** is suitable for outdoor applications such as parking, gardens, and other wet environments such as bathrooms or showers.



180° horizontal rotation.
30° vertical rotation.

Survey angle 110°.



Settings

External potentiometers for setting the optimum ambient light level and the off-delay:

- Ambient light intervention threshold: 5...1,000lx
- Light on time after last detection: 10sec...20min

FINDER 18 Series. Movement and presence detectors



Type 18.01
Wall
mounting



Type 18.21
Surface
mounting



Type 18.31
Recessed
mounting



Type 18.41
For corridor
up to 30 m



Type 18.51
Presence
detector