

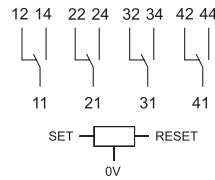
Bistable relay for control and signaling
RB.14 35 mm rail (EN 60715) mount
RB.22 11 pin socket type 90.21 mount

- 2 or 4 pole changeover contact
- DC voltage
- 2 coil type
- SET and RESET signals
- LED command status indication
- Cadmium Free contact material

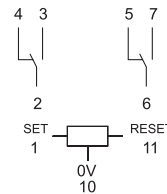
RB.14/22
Screw terminal



RB.14



RB.22



For outline drawings see page 5

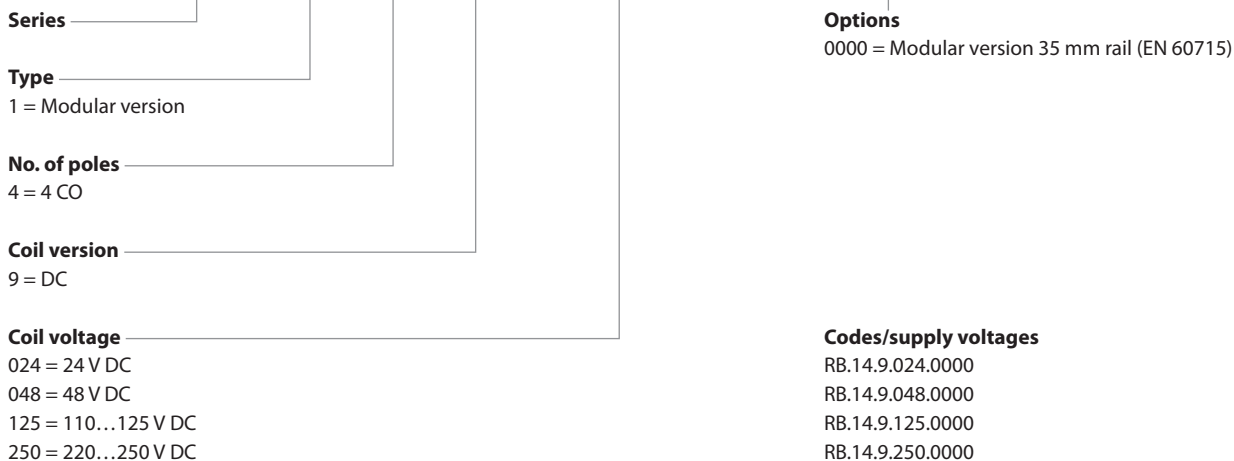
Contact specification			
Contact configuration		4 CO (4PDT)	2 CO (DPDT)
Rated current/Maximum peak current	A	8/15	8/15
Rated voltage/ Maximum switching voltage	V AC (50/60 Hz)	250/400	250/400
Rated load AC1	VA	2000	2000
Rated load AC15	VA	350	350
Single phase motor rating (230 V AC)	kW	0.37	0.37
Breaking capacity DC1: 30/110/220 V	A	8/0.3/0.12	8/0.3/0.12
Minimum switching load	mW (V/mA)	300 (5/5)	300 (5/5)
Standard contact material		AgSnO ₂	AgSnO ₂
Coil specification			
Nominal voltage (U _N)	V DC	24 - 48 - 110...125 - 220...250	24 - 110...125 - 220...250
Rated power DC	W	7	4
Operating range	V DC	(0.8...1.1)U _N	(0.8...1.1)U _N
Technical data			
Mechanical life AC/DC	cycles	2 · 10 ⁶	2 · 10 ⁶
Electrical life at rated load AC1	cycles	100 · 10 ³	100 · 10 ³
Operate/release time SET/RESET	ms	10/5	10/5
Insulation between coil and contacts (1.2/50 μs)	kV	6 (8 mm)	4 (8 mm)
Dielectric strength between open contacts	V AC	1000	1000
Ambient temperature range	°C	-40...+55	-40...+55
Protection category		IP 20	IP 20
Approvals relay (according to type)		CE EAC	

Ordering information

Example: RB series, bistable relay, 4 CO, 125 V DC coil, 35 mm rail (EN 60715) mount.

A

R B . 1 4 . 9 . 1 2 5 . 0 0 0 0



Example: RB series, bistable relay, 2 CO, 125 V DC coil, 11 pin socket type 90.21 mount.

R B . 2 2 . 9 . 1 2 5 . 9 0 2 1

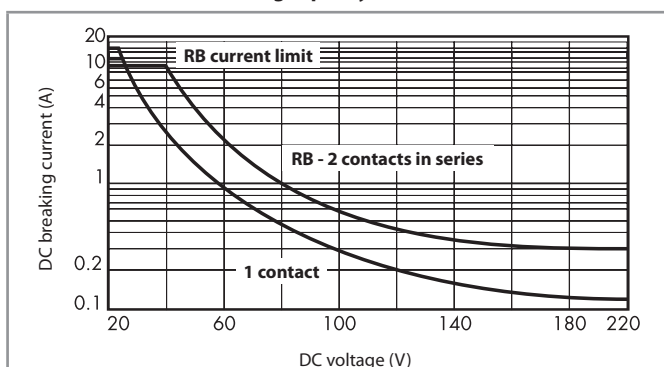


Technical data

Insulation according to EN 61810-1		
	2 CO	4 CO
Nominal voltage of supply system	V AC 230/400	230/400
Rated insulation voltage	V AC 250	250
Pollution degree	2	2
Insulation between coil and contact set		
Type of insulation	Reinforced (8 mm)	Reinforced (8 mm)
Overvoltage category	III	III
Rated impulse voltage	kV (1.2/50 μs) 4	6
Dielectric strength	V AC 2000	3000
Insulation between adjacent contacts		
Type of insulation	Basic	Basic
Overvoltage category	III	III
Rated impulse voltage	kV (1.2/50 μs) 4	4
Dielectric strength	V AC 2000	2500
Insulation between open contacts		
Type of disconnection	Micro-disconnection	Micro-disconnection
Dielectric strength	V AC/kV (1.2/50 μs) 1000/1.5	1000/1.5
Conducted disturbance immunity		
Burst (5...50)ns, 5 kHz, on A1 - A2	EN 61000-4-4	level 4 (4 kV)
Surge (1.2/50 μs) on A1 - A2 (differential mode)	EN 61000-4-5	level 3 (2 kV)
Other data		
Bounce time: SET (NO) / RESET (NC)	ms	3/6
Vibration resistance (5...55)Hz: NO/NC	g	3/6
Shock resistance	g	15
Max cable length for push-button connection	m	100
Terminals		
	Screw terminal	
	Solid and stranded cable	
Max. wire size	mm ²	1 x 2.5 / 2 x 1.5
	AWG	1 x 14 / 2 x 16

Contact specification

RB - Maximum DC1 breaking capacity



- When switching a resistive load (DC1) having voltage and current values under the curve, an electrical life of $\geq 100 \cdot 10^3$ can be expected.
- In the case of DC13 loads, the connection of a diode in parallel with the load will permit a similar electrical life as for a DC1 load.
Note: the release time for the load will be increased.

Coil specifications - Type RB.14

DC coil data

Nominal voltage U_N V	Coil code	Operating range		Rated coil consumption I at U_N mA	Rated power W
		U_{min} V	U_{max} V		
24	9.024	19.2	26.4	290	7
48	9.048	38.4	52.8	150	7
110...125	9.125	88	137.5	60	7
220...250	9.250	176	275	30	7

Coil specifications - Type RB.22

DC coil data

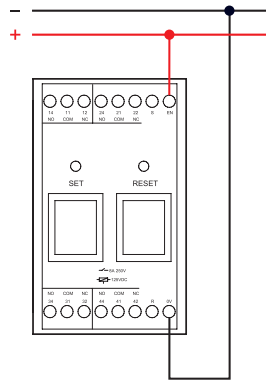
Nominal voltage U_N V	Coil code	Operating range		Rated coil consumption I at U_N mA	Rated power W
		U_{min} V	U_{max} V		
24	9.024	19.2	26.4	170	4
110...125	9.125	88	137.5	35	4
220...250	9.250	176	275	18	4

Wiring diagrams

A

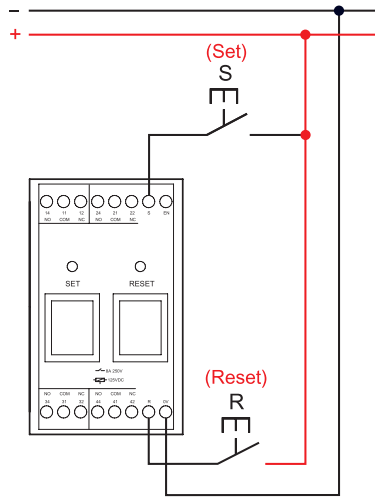
Type RB.14

Connection for only local push-buttons enable
EN = Enable - Positive voltage
0V = Negative voltage



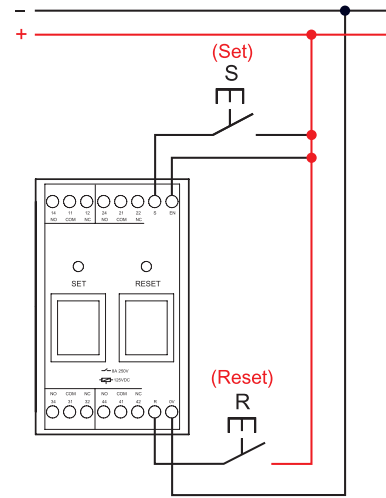
Type RB.14

Connection for remote push-buttons enable



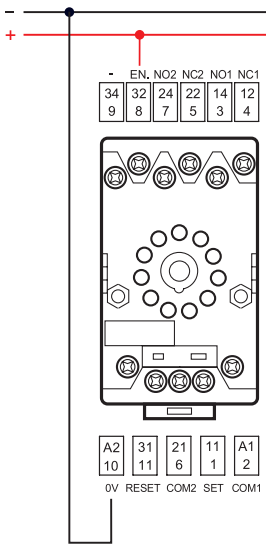
Type RB.14

Connection for local and remote push-buttons enable



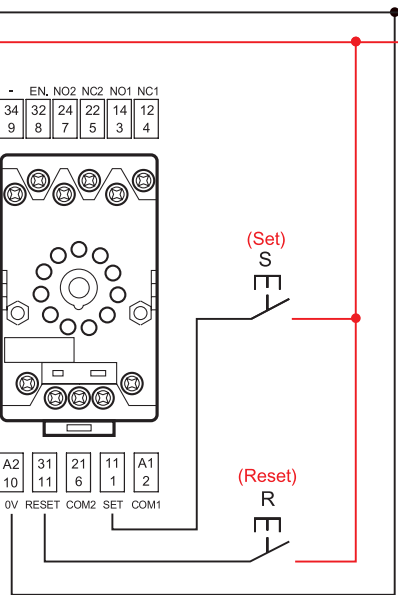
Type RB.22

Connection for only local push-buttons enable
EN = Enable - Positive voltage
0V = Negative voltage



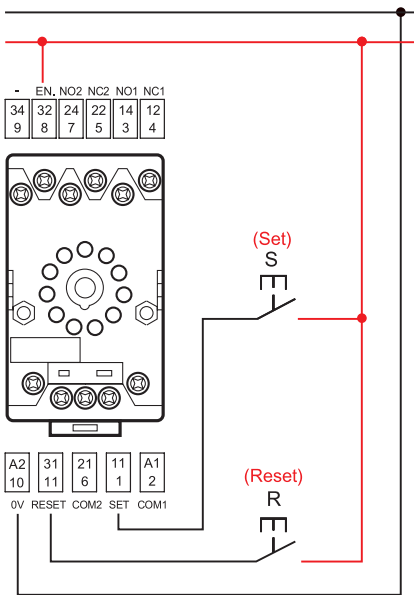
Type RB.22

Connection for remote push-buttons enable

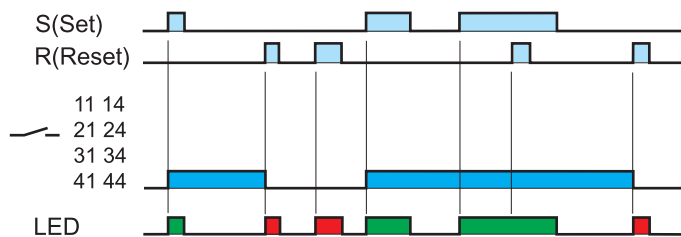


Type RB.22

Connection for local and remote push-buttons enable

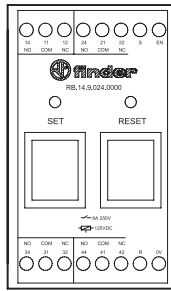
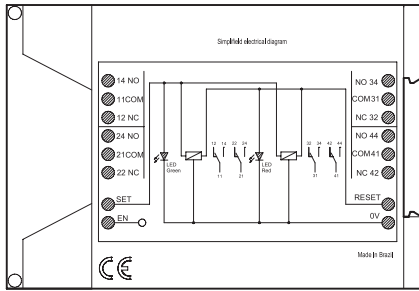
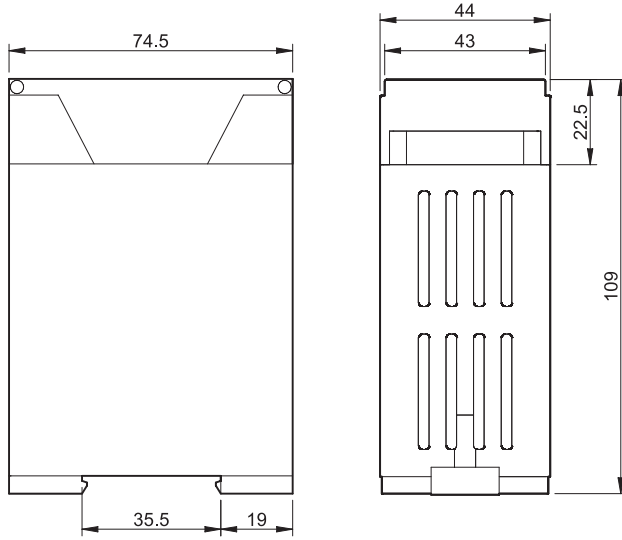


Functions



Outline drawing

RB.14
Screw terminal



RB.22
Screw terminal

